

Static Functions

Joints

Slab Function
SF

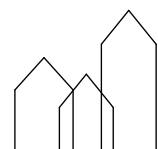
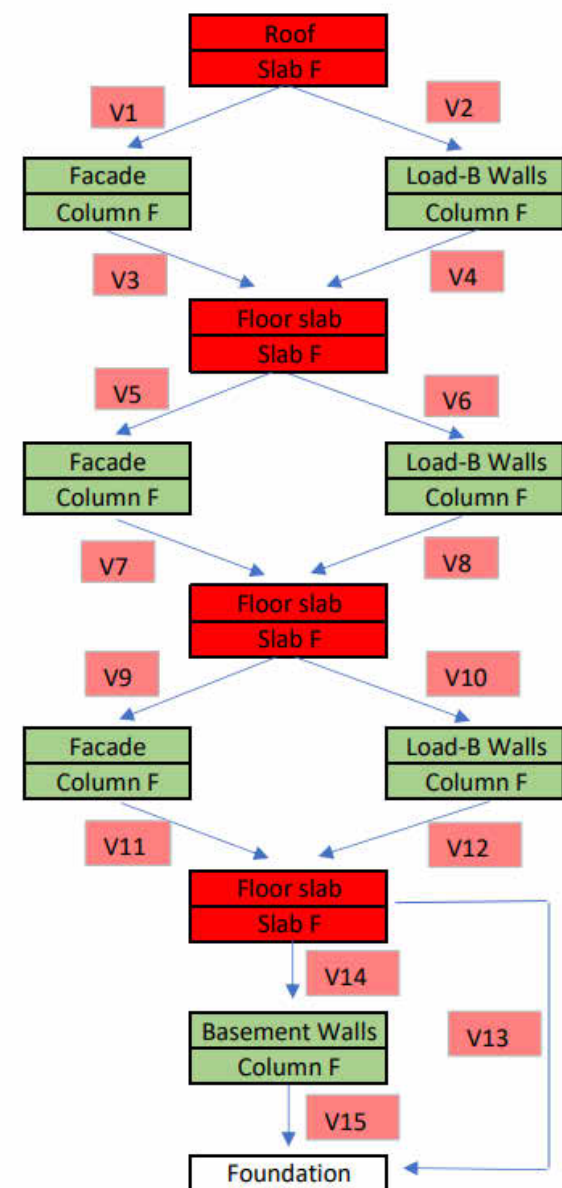
Shear Functions
SHF

Soil pressure

V1
Vertical Loads

H1
Horizontal Loads
to Facade

G1
Horizontal Loads to
gable



Bring ideas to life
VIA University College

VIA Built Environment & Engineering
Campus Horsens

PROJECT: Multistory Building	DATE: 10/26/23	I17_F06_H1_N12
SUBJECT: Vertical Load	SCALE: As indicated	
DRAWN BY: Dimitrian Cebotaru	CLASS: AH41-23S	